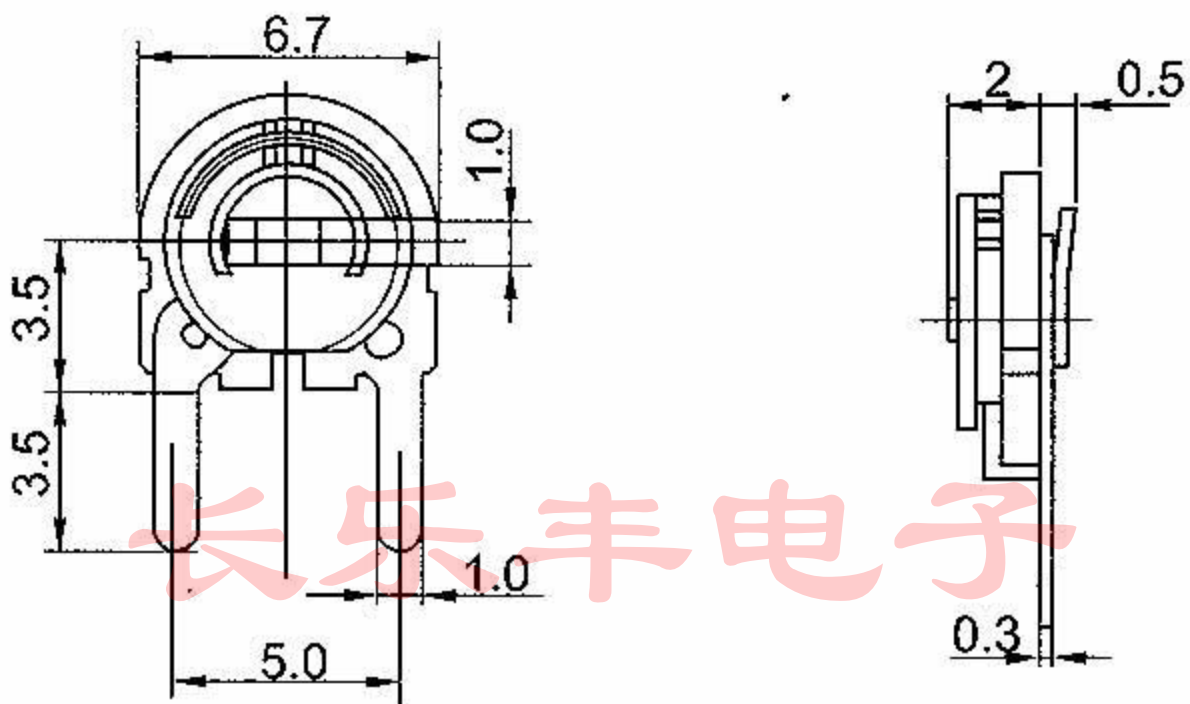
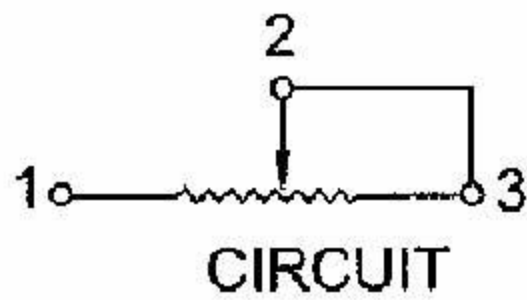
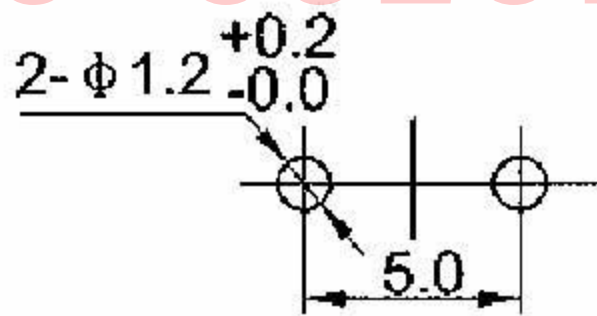


● SR062 外形与安装



0755-83281866



SR062可调电阻规格书

MECHANICAL CHARACTERISTIC 机械特性

TOTAL ROTATIONAL ANGLE 旋转角度	230° ±10°
ROTATIONAL TORQUE 旋转力矩	40-250GF.CM
STOPPER STRENGTH 止挡强度	≥1KGF.CM
ELECTRICAL CHARACTERISTIC 电气特性	
TOTAL RESISTANCE RANGE 总阻值	100 Ω -2M Ω
TOTAL RESISTANCE TOLERANCE 电阻误差	500 Ω <R<1M Ω : ±20%, OTHER: ±30%
RESISTANCE TAPER 电阻特性曲线	LINEAR (B)
POWER RATING (70°C) 额定功率	0.1W
MAX.OPERATING VOLTAGE 最大工作电压	100 VDC
ROTATIONAL NOISE 旋转杂音	≤100MV
RESIDUAL RESISTANCE 残留电阻	≤1% OR 100 Ω MAX

ENDURANCE 耐久性能

TOTATION LIFE 旋转寿命	100CYCIES R<10%R
TEMPERATURE CHARACTERISTIC 耐温特性	20°C-70°C R<±8%R
MOISTURE CHARACTERISTIC 耐湿特性	40°C 95% 5 HOURS (R/R) R≤±15%
LOAD CHARACTERISTIC 负载特性	40°C 95% 5 HOURS (R/R) R≤±15%
SOLDERING HEAT CHARACTERIDTIC 焊锡特性	sodering showld be carried out within 3 seconds at a temperature of 270°C max