

### 2 mm Square Low-Profile SMT Trimmer Potentiometers (Cermet, Open Frame Type)

Type: **EVM2T**  
**EVM2N**  
**EVM2W**



2T



2N



2W

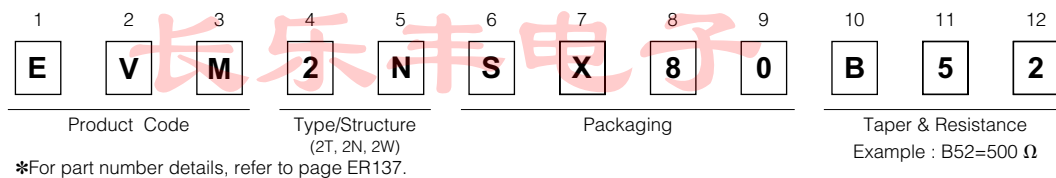
#### ■ Features

- Low-profile  
0.7 mm (0.75 mm max.) EVM2T  
0.81 mm (0.95 mm max.) EVM2N  
1.05 mm (1.2 mm max.) EVM2W
- Automatic adjustment type (EVM2W)
- High reliability realized by cermet element
- Excellent mountability
- Conforms to JIS C5260-1:1999

#### ■ Recommended Applications

- Audio/visual, office, and communication equipment
- General electronic equipment

#### ■ Explanation of Part Numbers



#### ■ Specifications

Total Resistance Value	100 Ω to 1 MΩ
Resistance Tolerance	±25 %
Power Rating	0.15 W
Maximum Operating Voltage	50 V
Rotation Torque	EVM2T, EVM2N : 0.5 to 10 mN·m EVM2W : 1 to 15 mN·m
Temperature Coefficient of Resistance	±250 × 10 <sup>-6</sup> /°C

#### ■ Minimum Quantity/Packing Unit


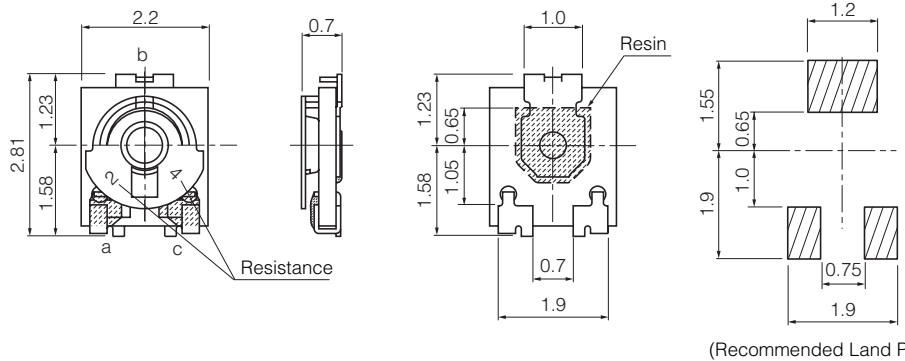
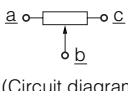
Part Number	Taping		
	Quantity per reel	Packaging quantity	Dia. of reel (mm)
EVM2T EVM2N EVM2W	3000	15000	φ178

The standard packaging methods for a reel is φ178.  
Please contact us, if you would like different packaging methods. (Bulk, Reel of φ330, Reel of φ380)


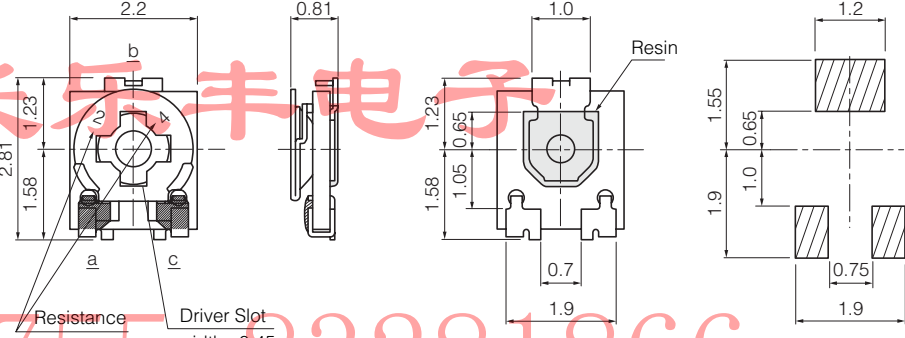
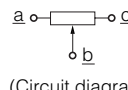
Design and specifications are each subject to change without notice. Ask factory for the current technical specifications before purchase and/or use.  
Should a safety concern arise regarding this product, please be sure to contact us immediately.

■ Dimensions in mm (not to scale)


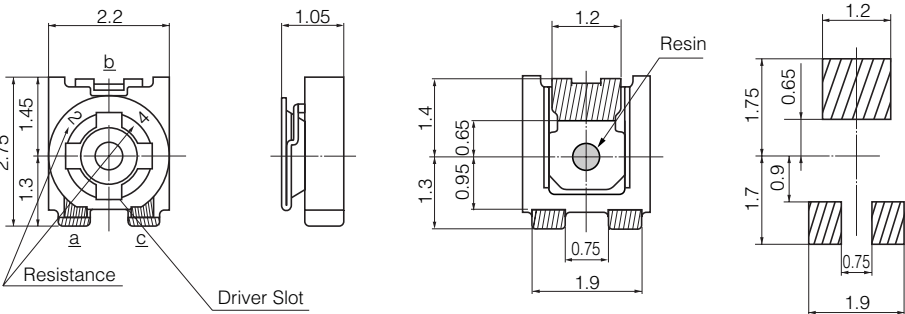
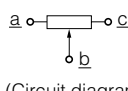
● 3-terminal/Low-profile ..... EVM2T

<p>No. 1</p> 	 <p>(Recommended Land Pattern)</p>  <p>(Circuit diagram)</p> <p>Mass (Weight) : 11 mg/pc.</p>
------------------------------------------------------------------------------------------------	--------------------------------------------------------------------------------------------------------------------------------------------------------------------------------------------------------------------------------------------------------------------

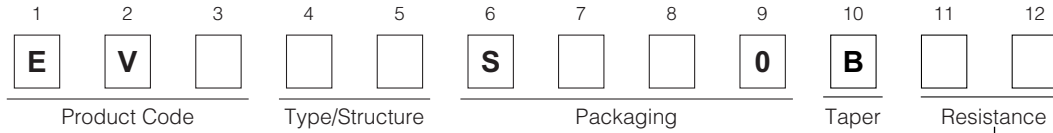
● 3-terminal/Low-profile ..... EVM2N

<p>No. 2</p> 	 <p>(Recommended Land Pattern)</p>  <p>(Circuit diagram)</p> <p>Resistance Driver Slot width 0.45 length 1.3 depth 0.2</p> <p>Mass (Weight) : 13 mg/pc.</p>
--------------------------------------------------------------------------------------------------	-------------------------------------------------------------------------------------------------------------------------------------------------------------------------------------------------------------------------------------------------------------------------------------------------------------------------------------------------

● 3-terminal, for Automatic Trimming Adjustment/Low-profile ..... EVM2W

<p>No. 3</p> 	 <p>(Recommended Land Pattern)</p>  <p>(Circuit diagram)</p> <p>Resistance Driver Slot width 0.45 length 1.45 depth 0.35</p> <p>Mass (Weight) : 17 mg/pc.</p>
--------------------------------------------------------------------------------------------------	----------------------------------------------------------------------------------------------------------------------------------------------------------------------------------------------------------------------------------------------------------------------------------------------------------------------------------------------------

### Explanation of Part Numbers



6th	7th	Packaging	8th	Quantity	Refer to "Packaging Specifications" regarding packing quantity for each part number.
S	X	Carrier tape (7th: Direction of insertion. Refer to Packaging Specifications)	0	750	
	W		3	1000	
			5	2000	
			8	3000	

\* The standard of direction of insertion is a direction X.  
EVM2T/2N type be only direction X.

Classification	Type	Symbol
Cermet	2 mm Open	EVM2T, EVM2N, EVM2W (low-profile)
	3 mm Open	EVM3Y, EVM3S EVM3R, EVM3W(low-profile) EVM3V(with rotation stopper)
	4 mm Open	EVM1D, EVM1E EVM1U
Carbon	3 mm Dustproof	EVN5E(with rotation stopper) EVN5C

Symbol	Resistance	EVM2T EVM2N EVM2W EVM3Y EVM3S EVM3W EVM3V EVM1D EVM1E EVM1U	EVM3R	EVN5E EVN5C
12	100 Ω	○	—	—
C2	150 Ω	○	—	—
22	200 Ω	○	—	○
E2	220 Ω	○	—	○
32	300 Ω	○	—	○
Y2	330 Ω	○	—	○
Q2	470 Ω	○	—	○
52	500 Ω	○	○	○
S2	680 Ω	○	○	○
13	1 kΩ	○	○	○
C3	1.5 kΩ	○	○	○
23	2 kΩ	○	○	○
E3	2.2 kΩ	○	○	○
33	3 kΩ	○	○	○
Y3	3.3 kΩ	○	○	○
Q3	4.7 kΩ	○	○	○
53	5 kΩ	○	○	○
S3	6.8 kΩ	○	○	○
14	10 kΩ	○	○	○
C4	15 kΩ	○	○	○
24	20 kΩ	○	○	○
E4	22 kΩ	○	○	○
34	30 kΩ	○	○	○
Y4	33 kΩ	○	○	○
Q4	47 kΩ	○	○	○
54	50 kΩ	○	○	○
S4	68 kΩ	○	○	○
15	100 kΩ	○	○	○
C5	150 kΩ	○	○	○
25	200 kΩ	○	○	○
E5	220 kΩ	○	○	○
35	300 kΩ	○	○	○
Y5	330 kΩ	○	○	○
Q5	470 kΩ	○	○	○
55	500 kΩ	○	○	○
S5	680 kΩ	○	○	○
16	1 MΩ	○	○	○

长乐丰电子  
 0755-83281806

11th	12th	11th	Significant number
□	□	C	1.5
Significant Number of resistance	Number of zero	E	2.2
		Y	3.3
		Q	4.7
		S	6.8

When significant number is odd, letters are assigned as shown above.