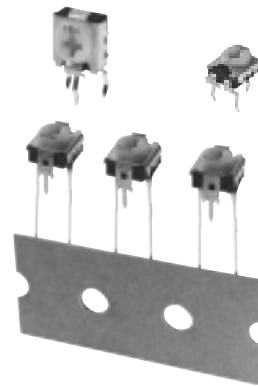


6 mm Square Carbon Composition Trimmer Potentiometers, Dustproof (6FE)

Type: **EVND**

Malaysia



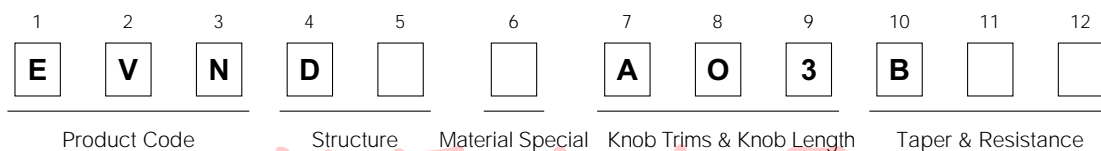
■ Features

- Top-adjust or side-adjust available
- Highly efficiency automatic insertion with radial taping package
- High reliability (dustproof construction)

■ Recommended Applications

- Audio Visual Equipment, Home Electrical Appliances

■ Explanation of Part Numbers



长乐丰电子

■ Specifications


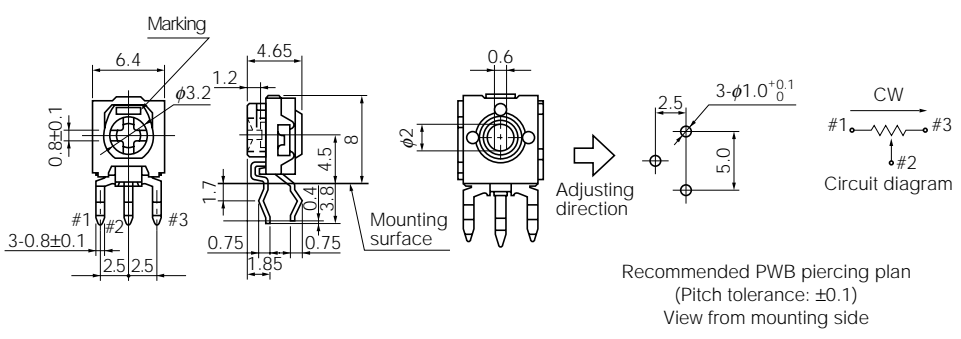
Electrical Specifications	Nominal Total Resistance	100 Ω to 1 M Ω
	Taper Resistance Tolerance	B $\pm 30\%$
	Rating	R < 500 k Ω : 0.1 W 50 V (50 $^{\circ}$ C) R > 500 k Ω : 0.1 W 25 V (50 $^{\circ}$ C)
	Residual Resistance	R < 1 k Ω : 30 Ω max., 1 k Ω < R < 2 k Ω : 60 Ω max. 2 k Ω < R < 1 M Ω : 3 % max., or 200 Ω max. whichever smaller
Mechanical Specifications	Rotation Angle	210 $^{\circ}$ \pm 20 $^{\circ}$
	Rotation Torque	2 mN·m to 25 mN·m
	Stopper Strength	Surface : 75 mN·m, reverse side : 35 mN·m
Endurance	Operating Life	100 cycles
	Resistance to Soldering Heat	240 $^{\circ}$ C to 280 $^{\circ}$ C : 5 s max., 280 $^{\circ}$ C to 300 $^{\circ}$ C : 3 s max.
	Resistance to Damp	After 350 hours : R < 100 k Ω +15 % -0 %, : 100 k Ω < R < 1 M Ω +20 % -0 %
	Endurance under Damp	After 350 hours : 1.5 h ON 0.5 h OFF : R < 100 k Ω \pm 15 %, : 100 k Ω < R < 1 M Ω \pm 20 %
	Endurance under High Temperature	70 $^{\circ}$ C \pm 3 $^{\circ}$ C After 250 hours +5 %, -15 %
Minimum Quantity/Packing Unit		EVND2A, EVND8A : 500 pcs. Polyethylene Bag (Bulk) EVNDJA, EVNDXA, EVNDCA : 1000 pcs. Radial Taping (Reel Pack)
Quantity/Carton		EVND2A, EVND8A : 5000 pcs. EVNDJA, EVNDXA, EVNDCA : 10000 pcs.

Note : R=Nominal Total Resistance


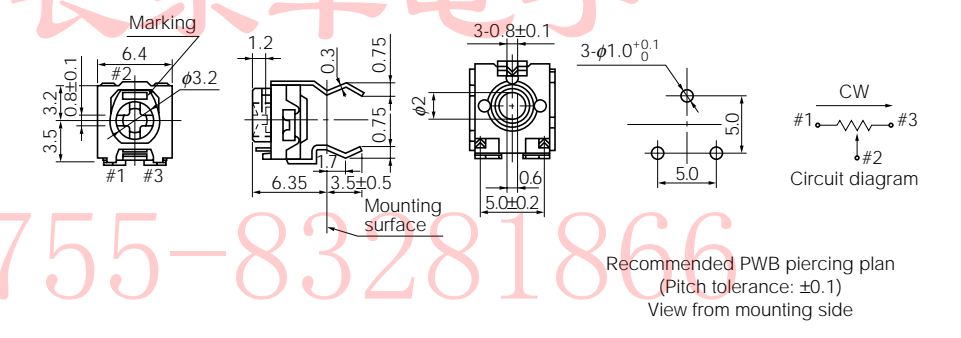
Design and specifications are each subject to change without notice. Ask factory for the current technical specifications before purchase and/or use. Should a safety concern arise regarding this product, please be sure to contact us immediately.

■ Dimensions in mm (not to scale)

● Side-adjust EVND2A

<p>No. 1</p> 	 <p style="text-align: center;">Adjusting direction</p> <p style="text-align: center;">Recommended PWB piercing plan (Pitch tolerance: ± 0.1) View from mounting side</p> <table border="1" style="width: 100%; margin-top: 10px;"> <tr> <td style="width: 50%;">Knob color</td> <td style="width: 50%;">Orange yellow</td> </tr> </table>	Knob color	Orange yellow
Knob color	Orange yellow		

● Top-adjust EVND8A

<p>No. 2</p> 	 <p style="text-align: center;">Adjusting direction</p> <p style="text-align: center;">Recommended PWB piercing plan (Pitch tolerance: ± 0.1) View from mounting side</p> <table border="1" style="width: 100%; margin-top: 10px;"> <tr> <td style="width: 50%;">Knob color</td> <td style="width: 50%;">Orange yellow</td> </tr> </table>	Knob color	Orange yellow
Knob color	Orange yellow		