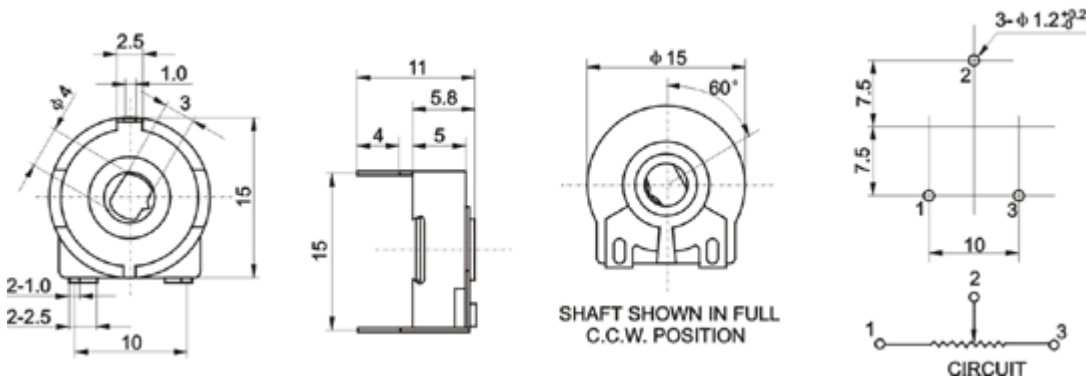


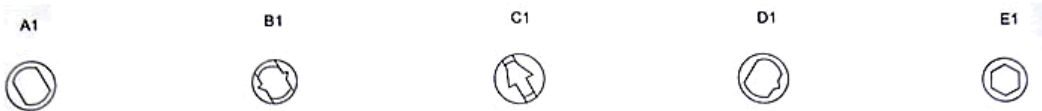
■RM150-V1 西班牙电位器模样图 ↓



■RM150-V1 尺寸图 ↓



■技术参考数据 ↓



MECHANICAL CHARACTERISTIC 机械特性

Total Rotational Angle 旋轉角度	260° ± 10°
Rotational Torque 旋轉力矩	40~250gf.cm
Stopper Strength 止擋強度	> 1kgf.cm

ELECTRICAL CHARACTERISTIC 電氣特性

Total Resistance Range 總阻值	100Ω~4.7MΩ
Total Resistance Tolerance 電阻誤差	500Ω < R < 1MΩ: ±20%, other: ±30%
Resistance Taper 電阻特性曲線	Linear(B)
Power Rating (70°C) 額定功率	< 0.25W
Max. Operating Voltage 最大工作電壓	250V AV
Residual Resistance 殘留電阻	R < 10KΩ: 10Ω max. R > 10KΩ: 3% min

ENDURANCE 耐久性能

Rotation Life 旋轉壽命	100cycles ΔR < 10%R
--------------------	---------------------

Temperature Characteristic 耐溫特性

	20°C ~ 70°C ΔR < ±8%R
--	-----------------------

Moisture Characteristic 耐濕特性

	40°C 95% 5 hours Δ(R/R) R < ±15%
--	----------------------------------

Load Characteristic 負載特性

	40°C 90% 5 hours Δ(R/R) R < ±15%
--	----------------------------------