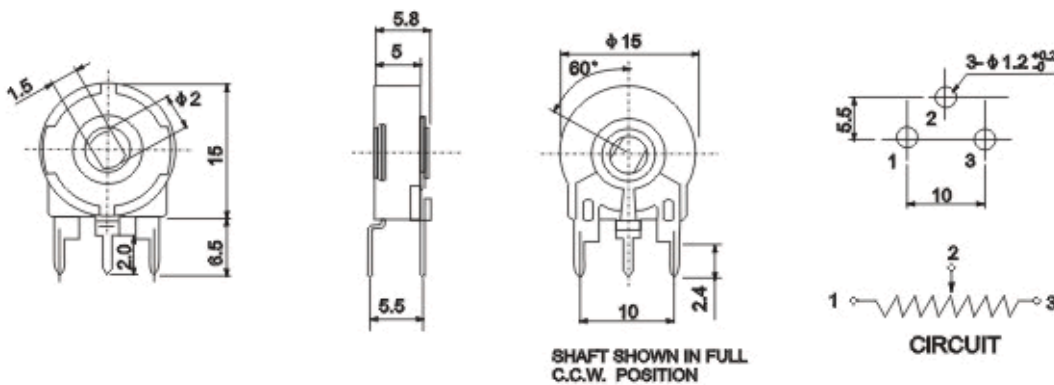


■ RM150-H1 西班牙电位器模样图 ↓



■ RM150-H1 尺寸图 ↓



■ 技术参考数据 ↓

A1	B1	C1	D1	E1
<b>MECHANICAL CHARACTERISTIC 机械特性</b>				
Total Rotational Angle 旋轉角度				
260° ± 10°				
Rotational Torque 旋轉力矩				
40~250gf.cm				
Stopper Strength 止擋强度				
> 1kgf.cm				
<b>ELECTRICAL CHARACTERISTIC 電氣特性</b>				
Total Resistance Range 總阻值				
100Ω~4.7MΩ				
Total Resistance Tolerance 電阻誤差				
500Ω < R < 1MΩ: ±20%, other: ±30%				
Resistance Taper 電阻特性曲綫				
Linear(B)				
Power Rating (70°C) 額定功率				
< 0.25W				
Max. Operating Voltage 最大工作電壓				
250V AC				
Residual Resistance 殘留電阻				
R < 10KΩ: 10Ω max. R > 10KΩ: 3% min				
<b>ENDURANCE 耐久性能</b>				
Rotation Life 旋轉壽命				
100 cycles ΔR < 10% R				
Temperature Characteristic 耐温特性				
20°C~70°C ΔR < ±8% R				
Moisture Characteristic 耐濕特性				
40°C 95% 5 hours Δ(R/R) R < ±15%				
Load Characteristic 負載特性				
40°C 90% 5 hours Δ(R/R) R < ±15%				
Soldering Heat Characteristic 焊錫特性				
Soldering should be carried out within 3 seconds at temperature of 270°C max				